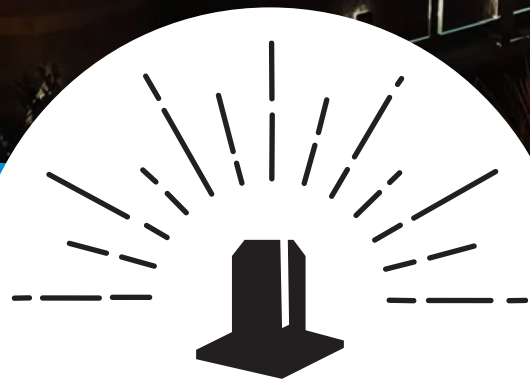


# FRAMELESS GLASS RAILING & LIGHTING SYSTEM **INSTALLATION GUIDE**

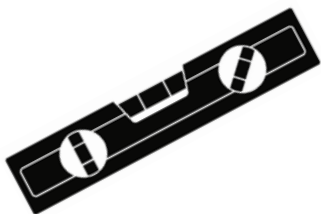


**Illuminated**  
BALUSTRADE • AUSTRALIA

# BEFORE YOU BEGIN

- Low Iron glass must be used to support our lighting system as advertised. Traditional “float glass” will not create illumination and violates the warranty.
- Compliance with local building codes is the responsibility of the installing party. IBA (Illuminated Balustrade Australia), nor her affiliates are responsible for code interpretations. Contact us at [info@spartanrailing.com](mailto:info@spartanrailing.com) for product testing results.
- Due to the weight and nature of glass panels we recommend a two-person lift when moving the panels.
- Illuminated glass is strong tempered or laminated glass. Each piece is durably packaged with corner guards, foam wrapping and individually boxed. When moving and storing the glass, protect in a manner that the edges do not make contact with hard surfaces such as concrete.
- We recommend the following safety gear when handling glass: safety glasses, safety boots, and gloves.

## RECOMMENDED TOOLS



Level



Allen Keys



Tape Measure



Chalk Line



Drill bits

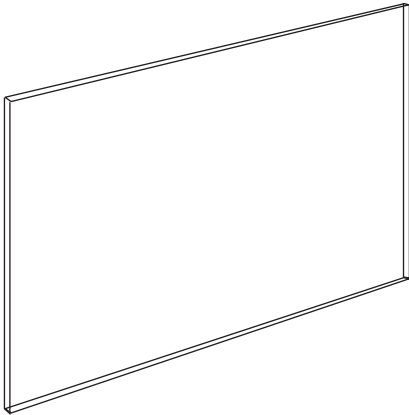


Drill

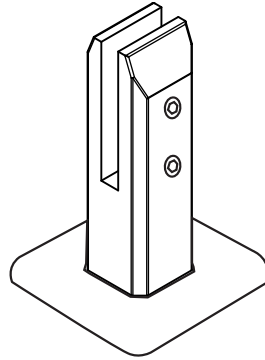


Pencil

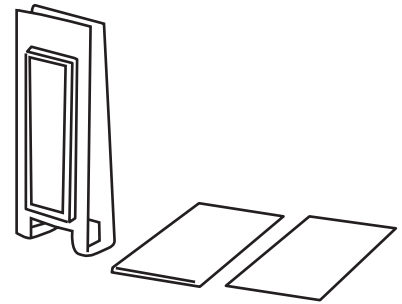
# COMPONENTS



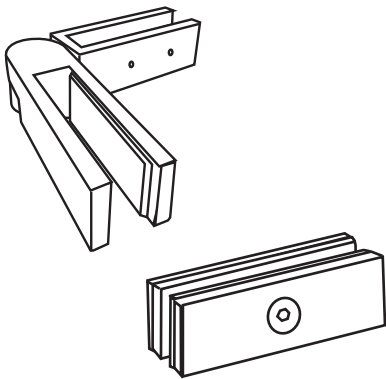
Glass panels



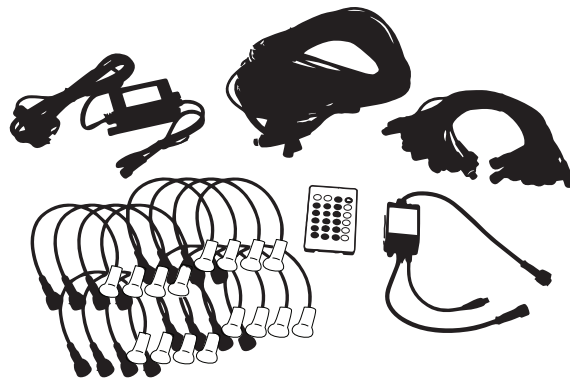
Spigots



Screw Plate & Spacers



Railing Clamps



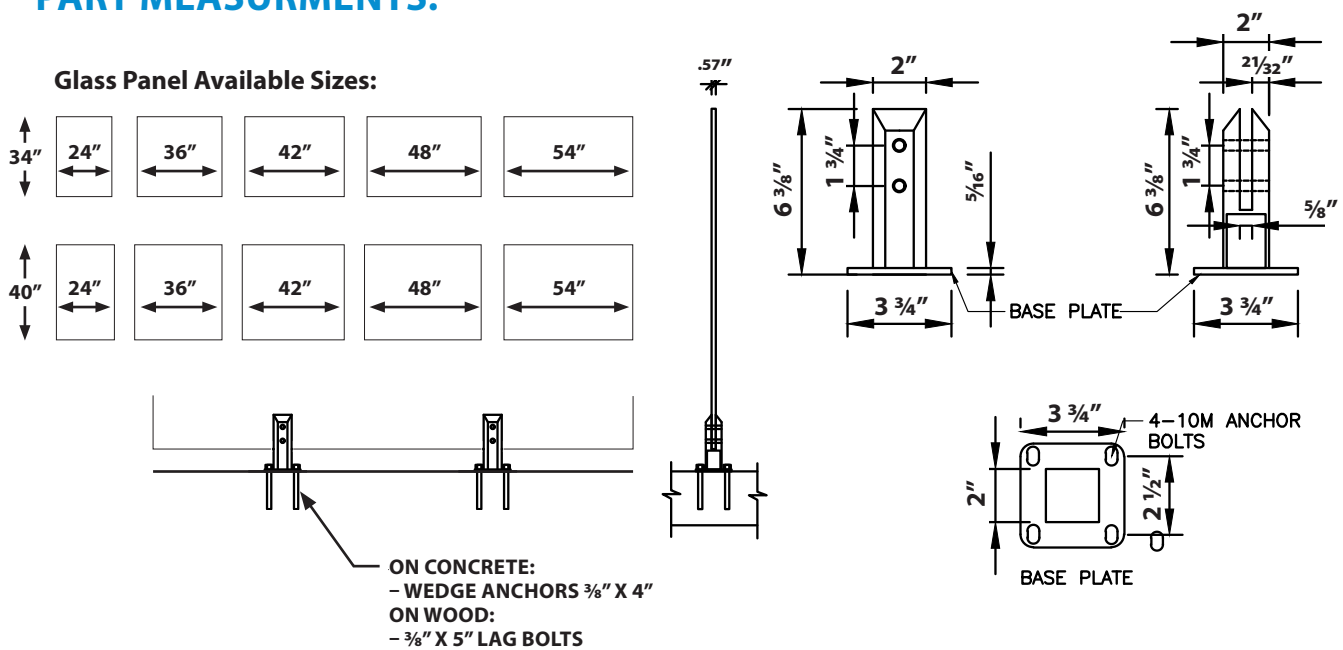
Light kit

# INSTALLATION

## NOTE:

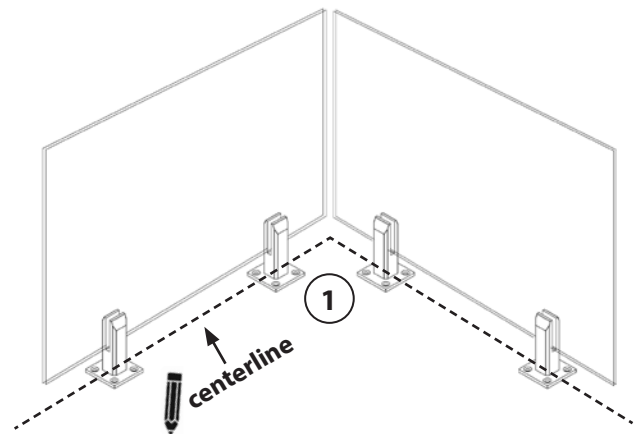
- For installation on wood deck surfaces, spigot screw holes must be aligned with proper deck blocking. Before installing the spigots, make sure to install blocking where required.
- For installation on concrete surfaces, we suggest allowing a min 2" gap from the concrete slab edge to the closest spigot drilling hole, which will bring the centerline of your spigot (and therefore your glass fence centerline) to about 3-1/2" away from the edge.

## PART MEASUREMENTS:



### 1 MARK THE RAILING CENTERLINE

Mark the glass panel centerline across all railing sections. Note where intersecting centerlines meet for panel sizing and placement.

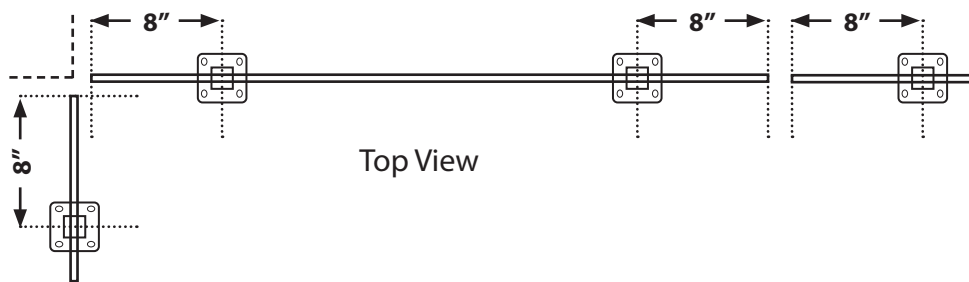
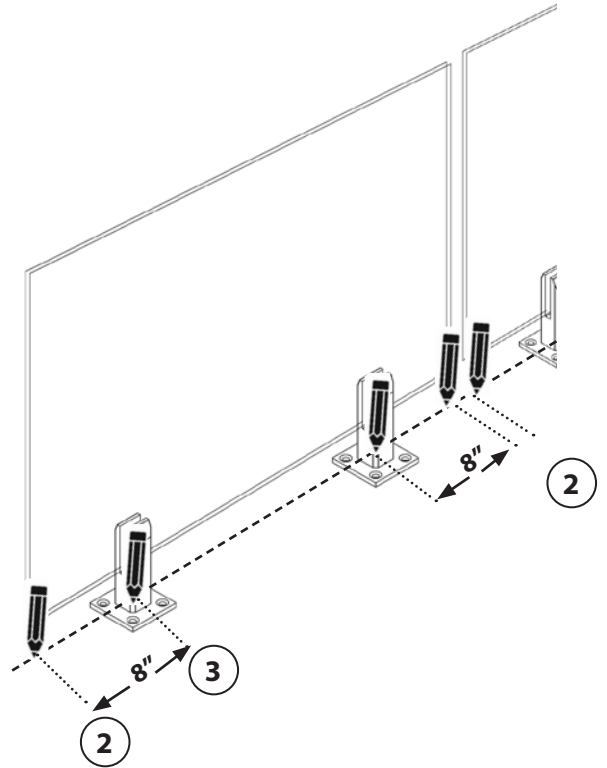


## 2 MARK THE PANEL POSITIONS

Mark the starting and finishing point of each glass panel along the railing centerline. Make sure to account for desired spacing between each panel.

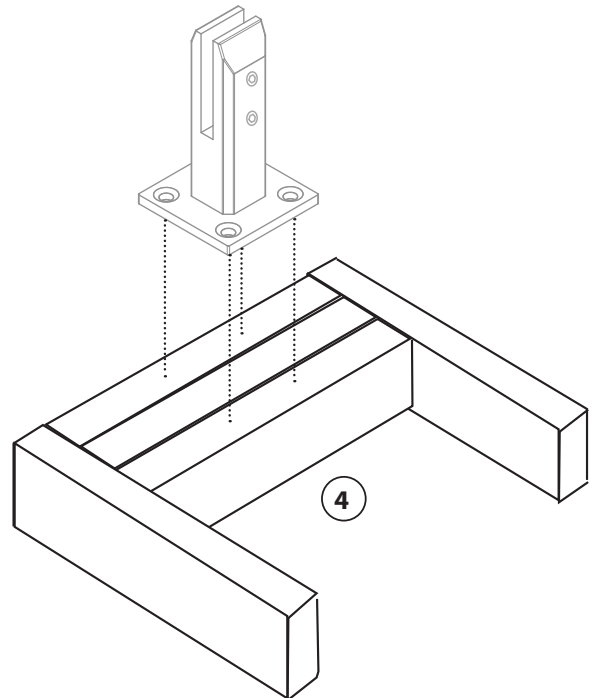
## 3 MARK THE SPIGOT POSITIONS

Measure 8" from the glass panel starting and finishing point, Mark the spigot center.



## 4 ADD TRIPLE BLOCKING TO SUPPORT SPIGOT SCREWS

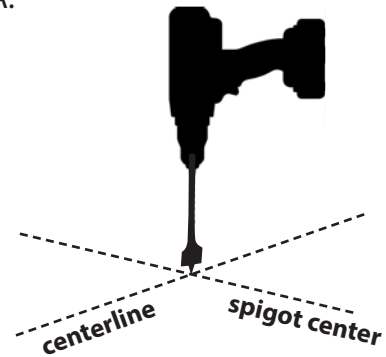
It is important that adequate substructure is in place underneath the decking to properly attach all 4 lag head screws to each spigot.



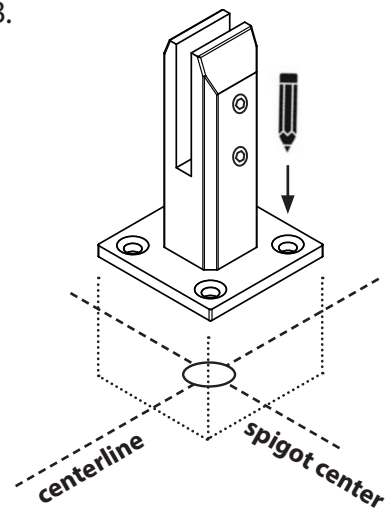
## 5 INSTALLING THE SPIGOTS

- A. Using a 3/4" drill bit, drill a hole on the spigot centerline. This will be used to route the LED lighting into the spigot.
- B. Align your spigot across the railing centerline and on its respective reference mark done in step 3. Mark the 4 anchor points.
- C. Pre-drill holes for the 3/8" lag head bolts.
- D. Secure the spigot in place by inserting 4 lag head screws. Spigot's should be installed with set screws facing the interior of deck. Tighten the 4 lag head screws firmly.
- E. Put the spigot cover in place.

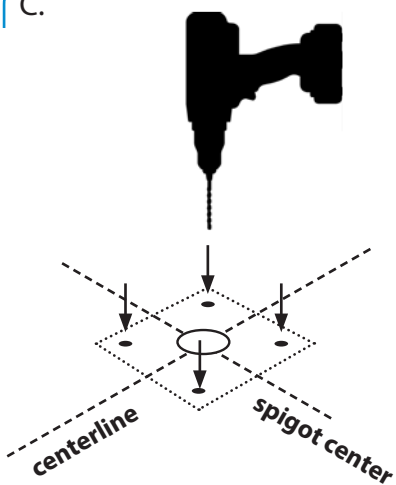
A.



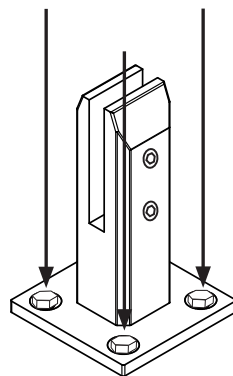
B.



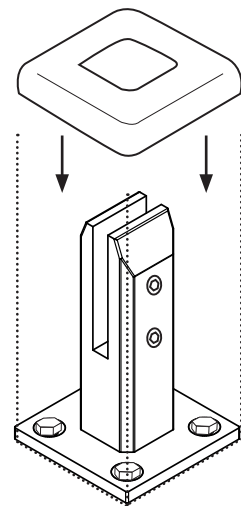
C.



D.



E.

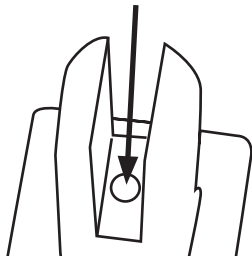


## 6 INSTALLING THE LED LIGHTING

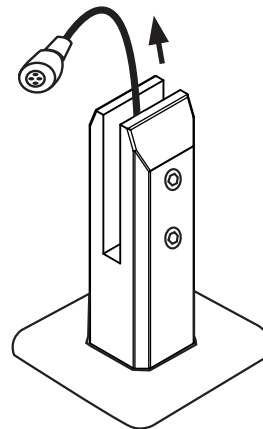
NOTE: Refer to the Spartan Light Kit Installation Guide for more specifics on the light kit.

- A. Feed the end of the main cable extension lead through the center hole and out the top of spigot.
- B. Connect the end of the LED light to the end of the extension lead.
- C. Once all the lights are working correctly, feed the extension lead and LED light cable back through the hole in the spigot. The light should sit flush on the spigot base.

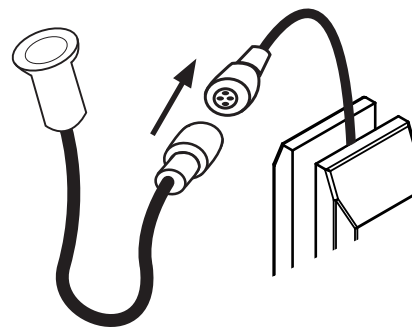
C.



A.



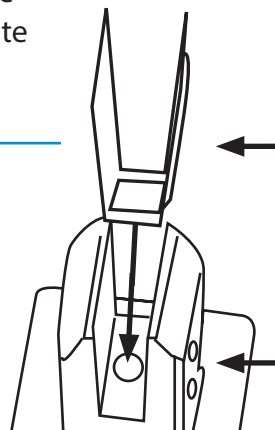
B.



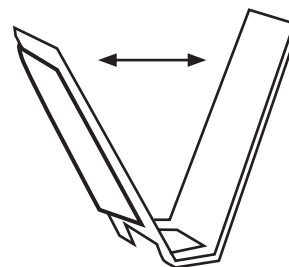
## 7 INSTALL THE SCREW PLATE

- D. Before inserting, flex screw plate into a V shape using your hands.
- E. Insert into the spigot lining up with hole in screw plate. Ensure stainless steel plate faces the spigot set screws.

E.

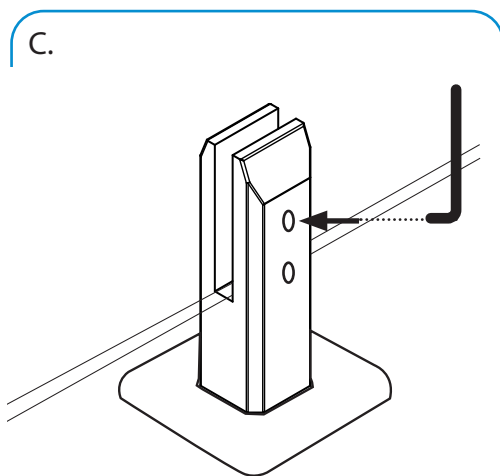
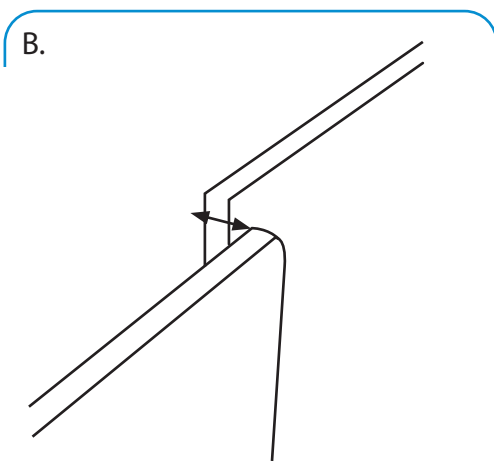
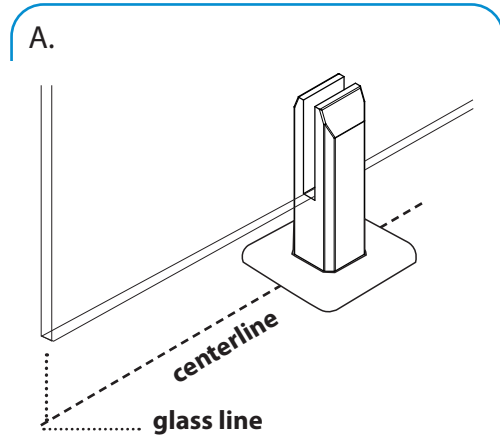


D.



## 8 INSTALLING THE GLASS RAILINGS

- A. Insert the glass panels and align so it is flush with the marks done in step 2.
- B. Use the included shims within the spigot to align the glass if needed.
- C. Secure the glass panel into the spigot by tightening the allen key screws.



## 9 INSTALLING THE GLASS TO GLASS CLAMPS

- D. Loosen the allen screw.
- E. Slide the clamp down in place with set screw facing the interior of deck. Set the clamp at desired height. We recommend a 2" gap from the top of the glass to the top of the clamp. Manually tighten the allen screw to secure clamp.

